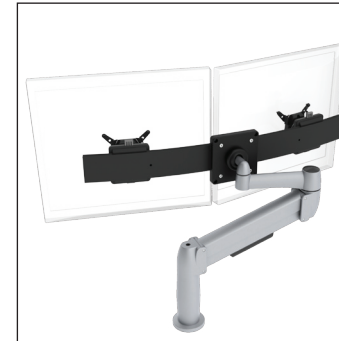


Monitor Mounts

Our flexible and highly adaptable range of monitor arms and associated mounting solutions free valuable desk real-estate, improve overall working space aesthetics, can enhance productivity, are easy to adjust to personal taste and can help to improve back and neck posture whilst reducing eye strain.

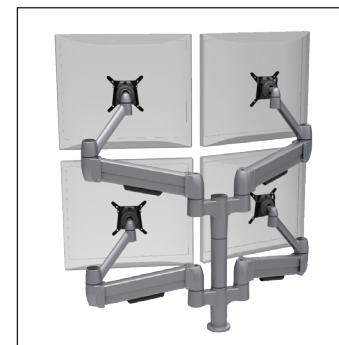


SpaceArm Monitor Mount



SpaceArm has been designed to integrate, aesthetically and functionally, into any furniture system or application.

SpaceArm is the only flat screen, gas-lift, display support range which allows you to upgrade a single arm to a double, triple, quad or even double quad, from a single column. With sit-stand facility and quick-change VESA mounting options, SpaceArm is the perfect choice for professional specifiers and users who are looking for quality manufacturing, style, ergonomics and cost-effective upgradeable flexibility.

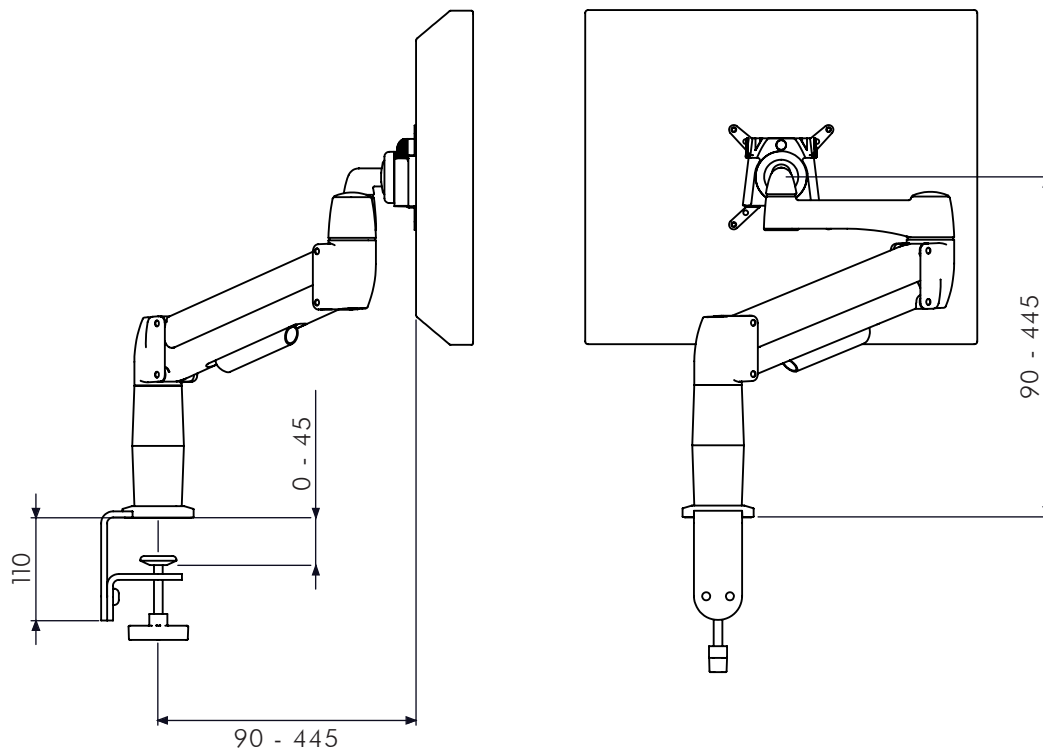


- One to eight monitors on a single column.
- Hub & Spoke system (patent pending) permits simple on site scalability from single to multiple screen applications.
- Single motion 5 axis position adjustment.
- Can be mounted to virtually any horizontal or vertical surface, including most office furniture panel systems.
- High pressure die-cast aluminium construction.
- Conforms to VESA 75mm and 100mm mounting patterns.
- Height Adjustment – 356mm.
- Arm extension – 556mm.
- Arm rotation – 359 degrees.
- Extension arm rotation – 359 degrees.
- Bracket arm rotation, with monitor – 230 degrees.
- Monitor swivel – 359 degrees.
- Monitor tilt – 40 degrees.
- Folded depth – 67mm.
- Counterbalance – Adjustable for 3kg – 10kg monitors (other ranges available).
- Arm height can be locked using the optional Set Screw/Pin.
- Thermo-fused polyester finish available in metallic silver, black or white.



SpaceArm

Adjustment	5mm Allen screw
Monitor Weight	Light weight - 1-5kgs Standard - 3-10kgs Heavy duty - 7-15kgs
Mounting	75mm and 100mm VESA Mounting Centres, 'Quick Connect' or 'Direct Mount'
Construction	Aluminium die casting, steel and Nylon
Finish & Colour	Powder coated, metallic silver, black or white
Fixings	Included for mounting and monitor
Packaging	Product dependent

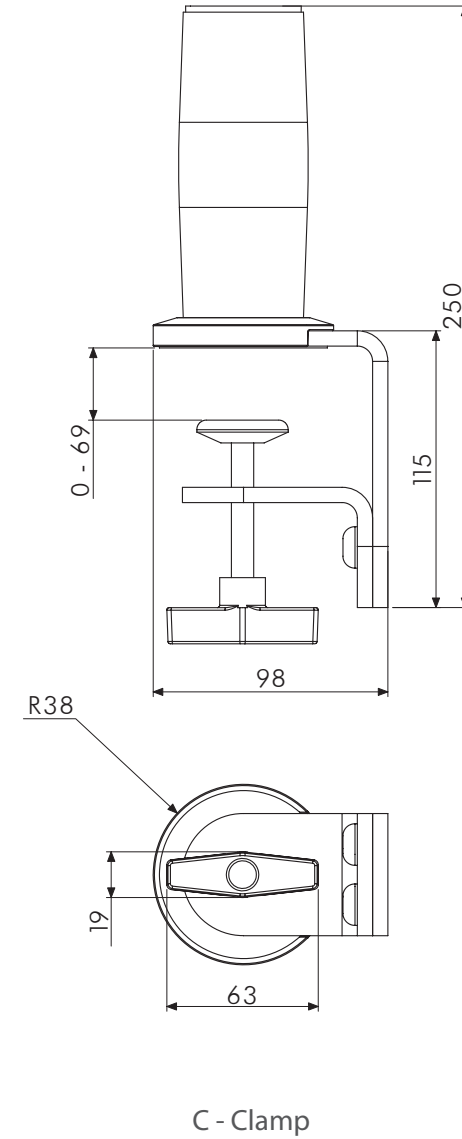
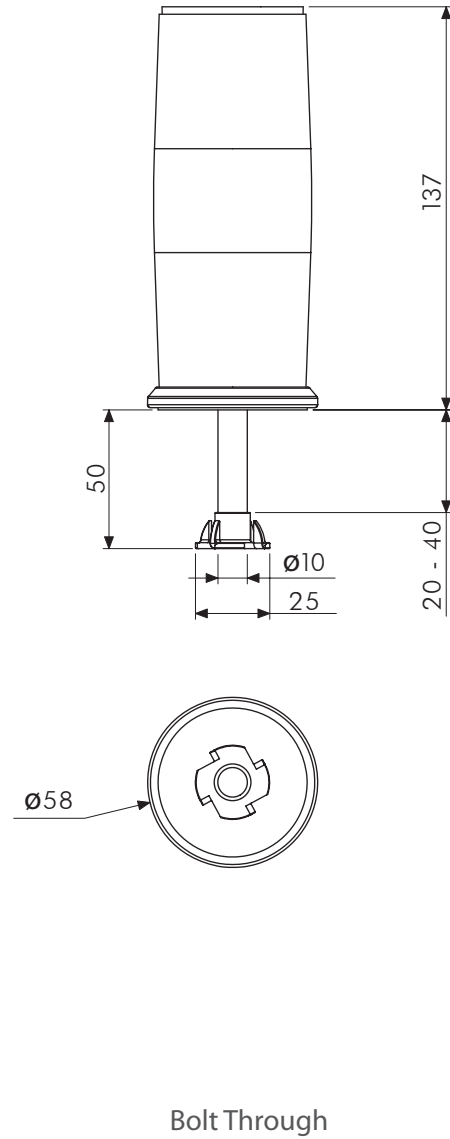
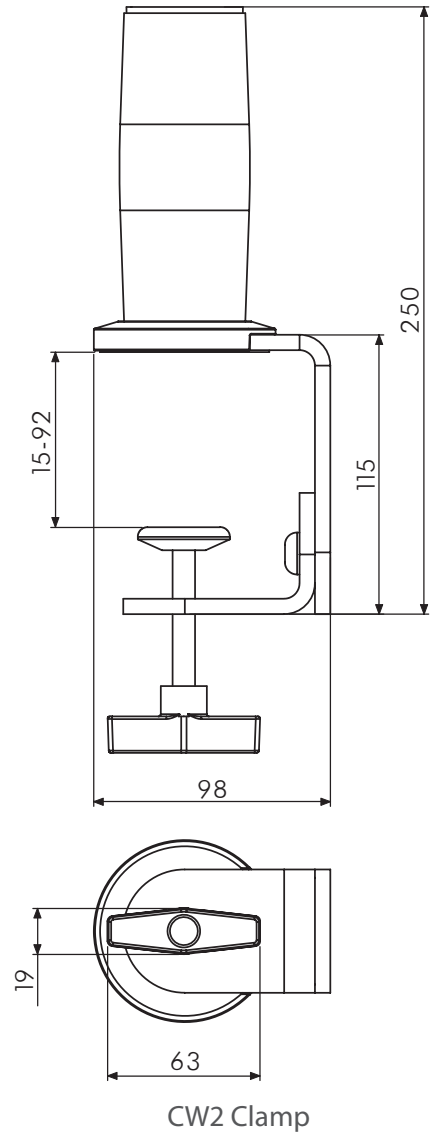


Ordering Information

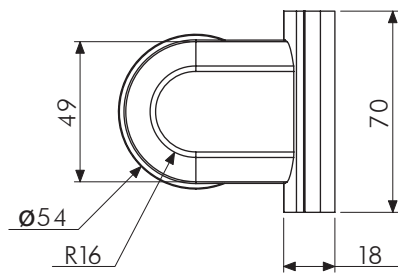
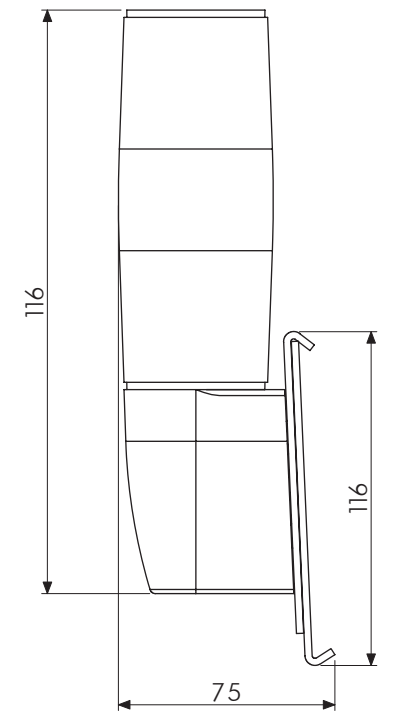
Please call us to discuss options.



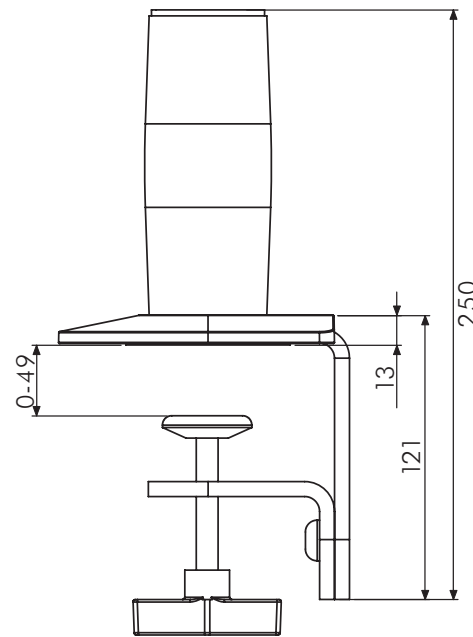
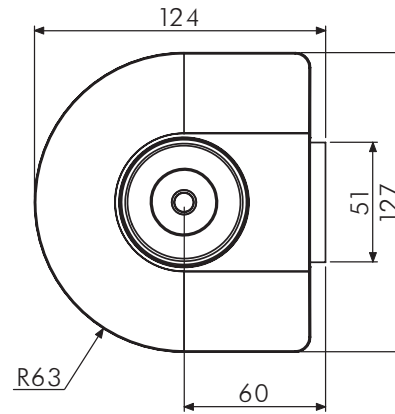
Space Arm - Mounting Options



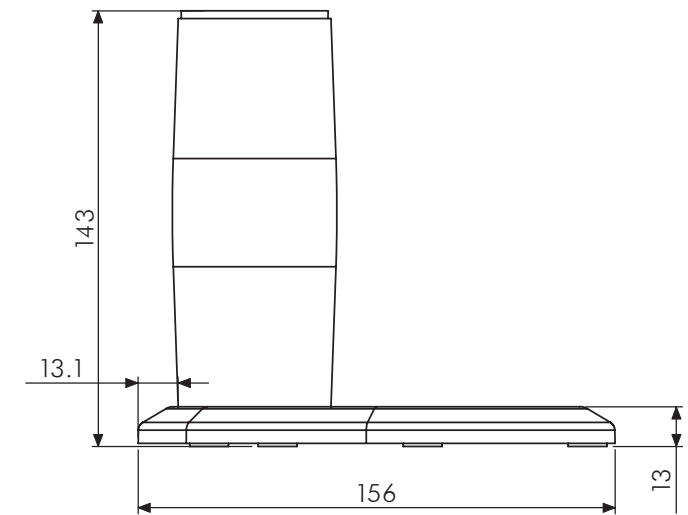
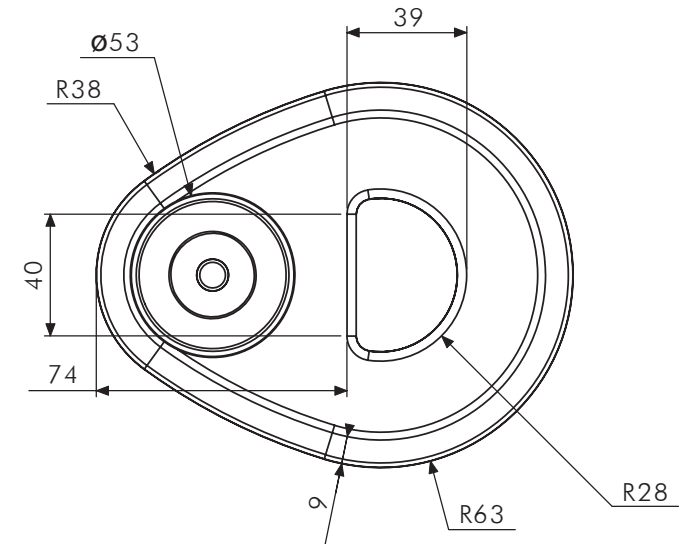
Space Arm - Mounting Options



Vertical Mount



Large C - Clamp



Grommet Mount

