

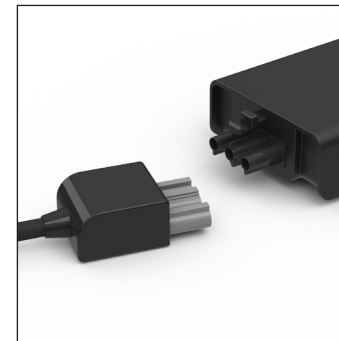
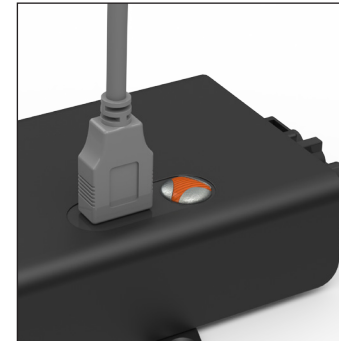
Power and Data

At Adapt we specialise in innovative, customisable solutions to improve the working environment.

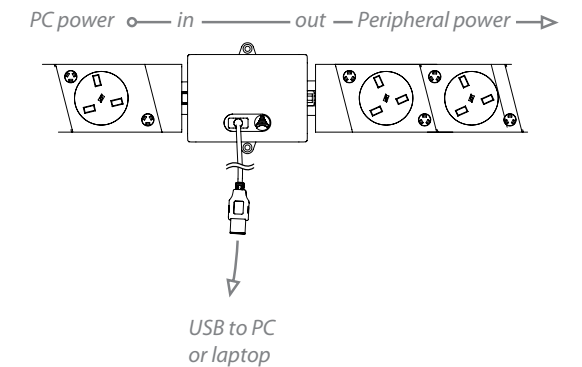
Our range of power products is constantly evolving to meet the demanding requirements of the modern office.

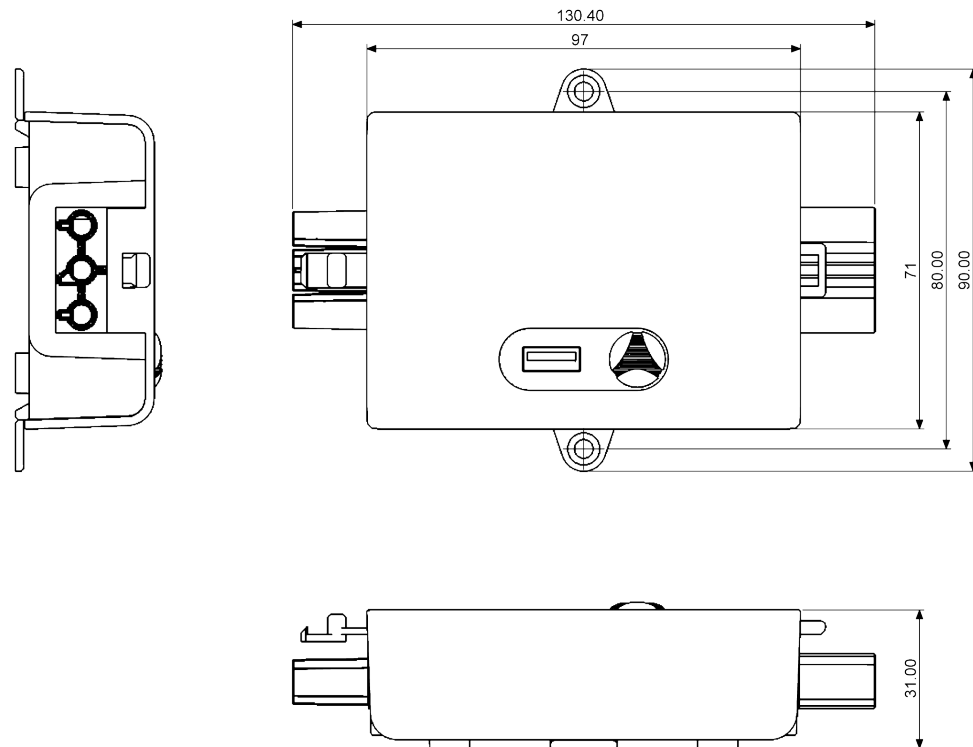


Power Saver for PC or laptop



- Utilising a USB connection, Power Saver senses when the PC or laptop enters standby mode, or is shutdown, and will automatically switch off peripheral devices, such as monitors and printers, thus saving energy.
- The PC or laptop comes out of standby mode, or is switched on, so Power Saver returns the flow of electricity to the peripheral devices.
- Requires additional sockets for PC/laptop and for peripheral devices.
- Connects via cables or directly to under desk power via wieland ST18/3 connectors.
- USB 2.0 compatible.
- No software required.
- 240 Volts AC
- 13 Amp maximum





Power Saver

Connections	Wieldand ST18/3 in and out USB detection
Software	None required
Mounting	Screw fixed or loose
Construction	Top and base - ABS
Finish & Colour	Top and base - spark eroded, black grey
Packaging	Bubble wrapped
Included	1 meter USB cable

Ordering Information

Part number	PSVE-003BK
Description	Power save unit assembly



Uni Power tablet and smart phone USB charging



uni



- **uni** provides a unique standalone solution to desktop power and data needs – bringing configurable power and RJ45 access within convenient reach along with market leading USB charging facilities.
- Uniquely to the market, **uni** is capable of charging tablet PCs, iPad for example, as well as smart phones such as the Blackberry and iPhone at up to 3 Amps, whilst also providing USB 2.0 data transfer.
- The slim and stylish extruded aluminium housing features a built-in transformer drawing mains power directly from the sockets above so there is no longer a need to carry around bulky charging equipment for phones and tablets.
- Up to 3 Amps USB Charging.
- USB 2.0 Data Transfer
- USB 2.0 compatible.
- Customer configurable Power and Data.
- Available in a range of colours and finishes



Uni Power

Connections	Wieldand ST18/3 in and out USB detection
USB Charging Output	Voltage - 5.25V – 4.75V (+/- 1%) measured at the connector Current - 0 – 3A
UK Mains Socket Output	Voltage - 250 VAC - 50 Hz - Current - 5 Amp max
Software	None required
Mounting	C-clamps included
Construction	End Caps and fascia - ABS Profiles - extruded aluminium C-clamps - steel
Finish & Colour	End Caps and fascia - spark eroded white Profiles - clear anodised
Packaging	Bubble wrapped
Included	2 meter USB cable 1 meter power cable 2 x RJ45 data cables

Ordering Information

Part number	OPTI-124WT
Description	UNI - Power Data and USB Unit - White and Anodised

